

This is a repository copy of *Safety Assurance of an Industrial Robotic Control System Using Hardware/Software Co-Verification*.

White Rose Research Online URL for this paper:

<https://eprints.whiterose.ac.uk/193931/>

Conference or Workshop Item:

Murray, Yvonne, De Oliveira Salazar Ribeiro, Pedro Fernando orcid.org/0000-0003-4319-4872, Anisi, David A. et al. (2 more authors) Safety Assurance of an Industrial Robotic Control System Using Hardware/Software Co-Verification. In: YorRobots and RoboStar Industry Exhibition, 11-12 Oct 2022, University of York. (Unpublished)

Reuse

Items deposited in White Rose Research Online are protected by copyright, with all rights reserved unless indicated otherwise. They may be downloaded and/or printed for private study, or other acts as permitted by national copyright laws. The publisher or other rights holders may allow further reproduction and re-use of the full text version. This is indicated by the licence information on the White Rose Research Online record for the item.

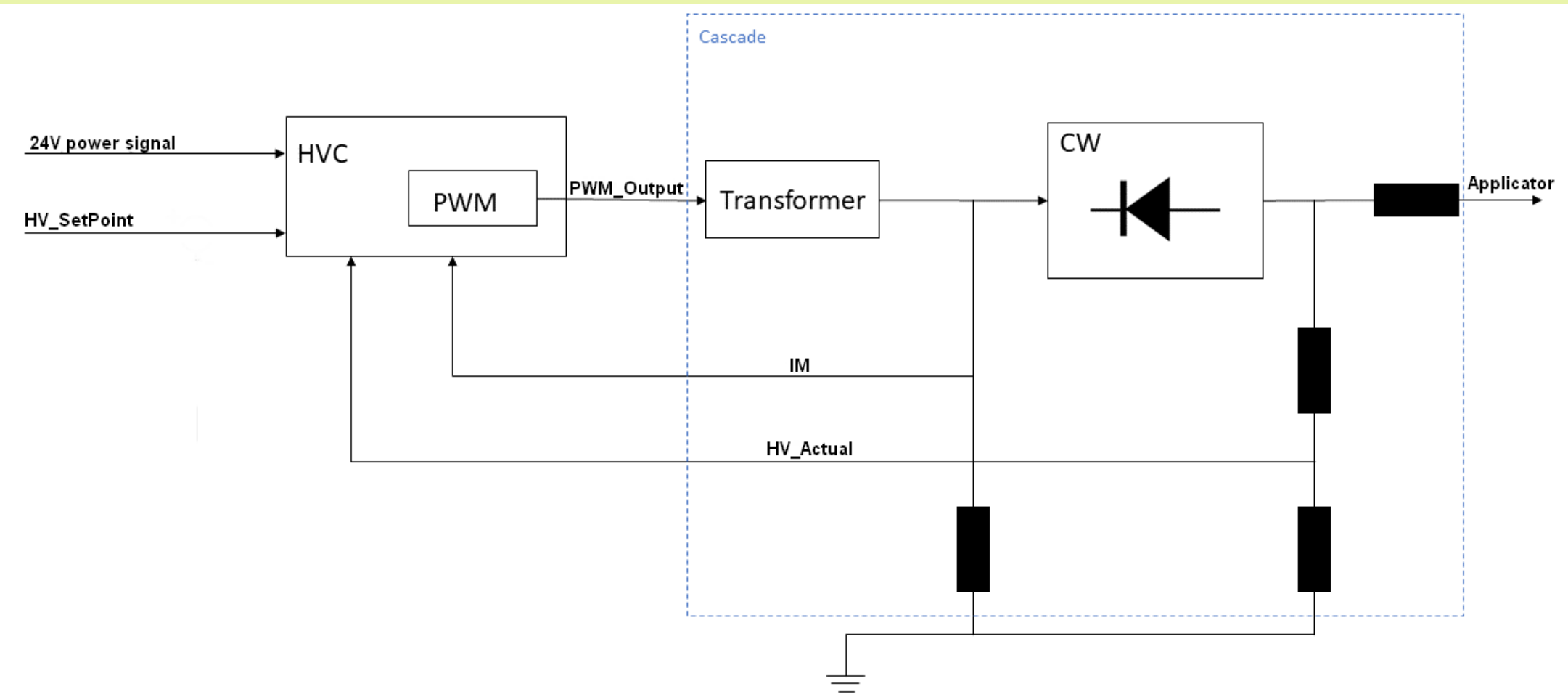
Takedown

If you consider content in White Rose Research Online to be in breach of UK law, please notify us by emailing eprints@whiterose.ac.uk including the URL of the record and the reason for the withdrawal request.

Safety Assurance of an Industrial Robotic Control System Using Hardware/Software Co-Verification

Background

As a general trend in industrial robotics, an increasing number of safety functions are being developed or re-engineered to be handled in software rather than by physical hardware. This trend reinforces the importance of supplementing traditional, input-based testing with formal verification and model-checking methods. To this end, our use-case focuses on safety assurance of a high voltage controller (HVC) used in an industrial painting robot from ABB, by the use of hardware/software co-verification.



Block diagram of one part of the paint robot, containing the HVC.

Properties of Interest

- ▶ P1: HV_Actual should converge to the reference value HV_SetPoint
- ▶ P2: PWM_Output is set to 0 whenever the 24V power signal is off
- ▶ P3: mSetPoint, an internal representation of the setpoint, is set to 0 when the 24V power signal is switched off
- ▶ P4: The software is deadlock free

Properties P2-P4 are properties of the software, while P1 is a system property.

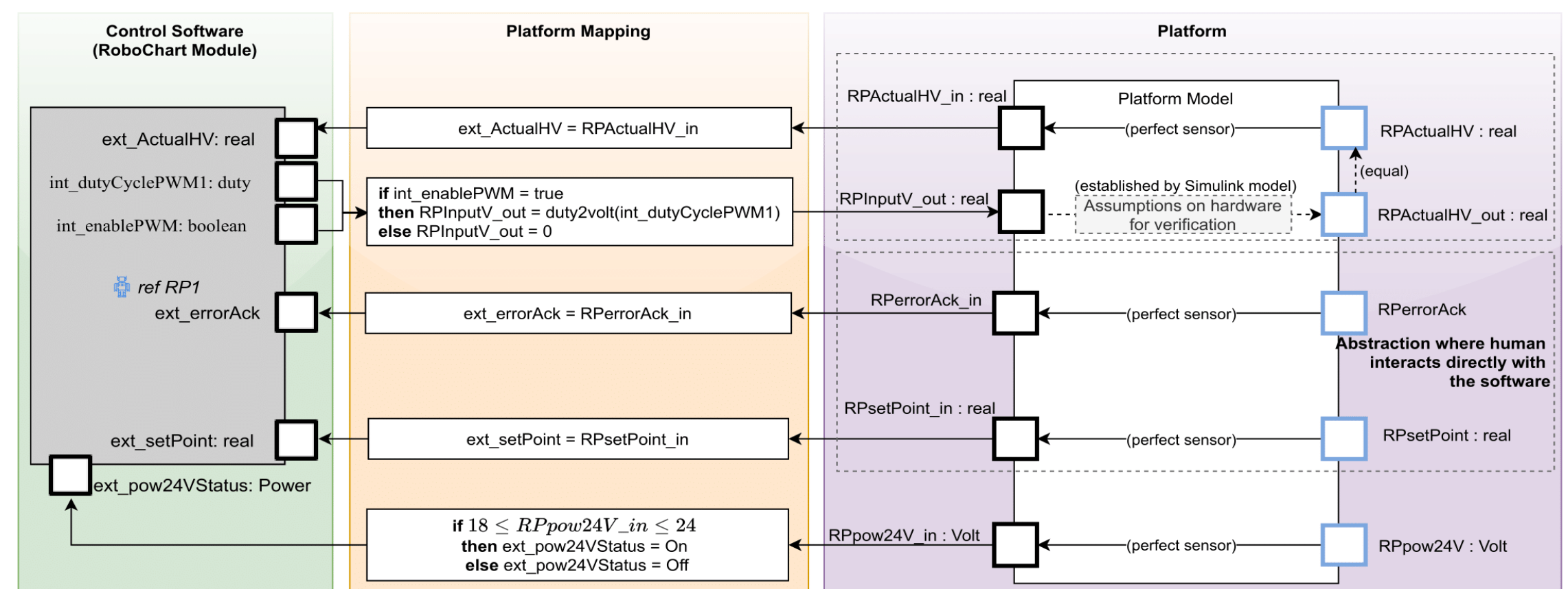
Verification Approach

Verification of P1 requires:

- ▶ Models of the software and hardware
- ▶ A formal specification for P1

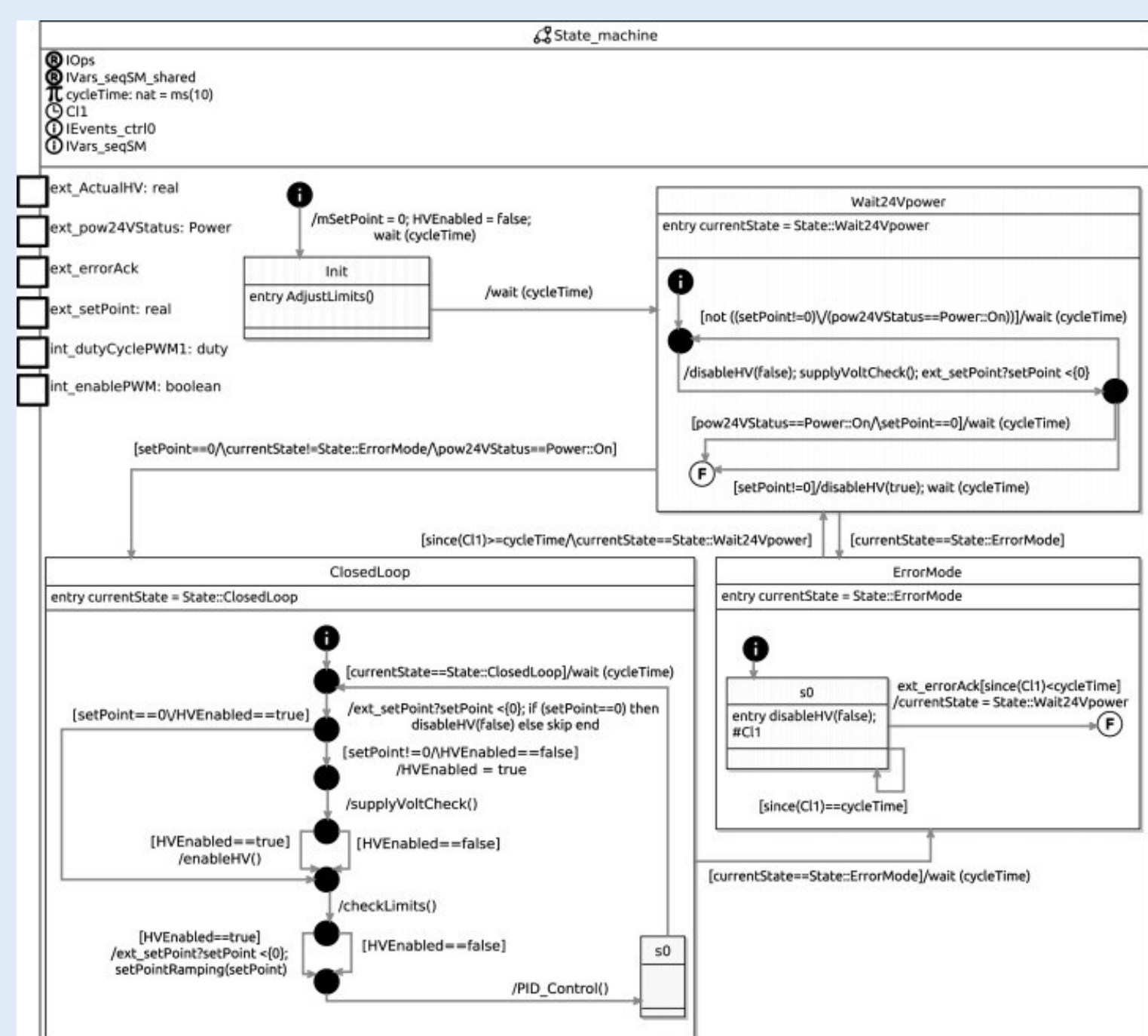
Our co-verification approach is as follows:

1. Software is modelled in RoboChart and hardware in Simulink.
2. Connection between models is defined via platform mapping.
3. Property P1 is stated over inputs/outputs of system in tock-CSP.
4. Property P1_{HW} of the hardware, needed to establish P1, is verified in Simulink.
5. Then, using the above construction, P1 is checked in FDR

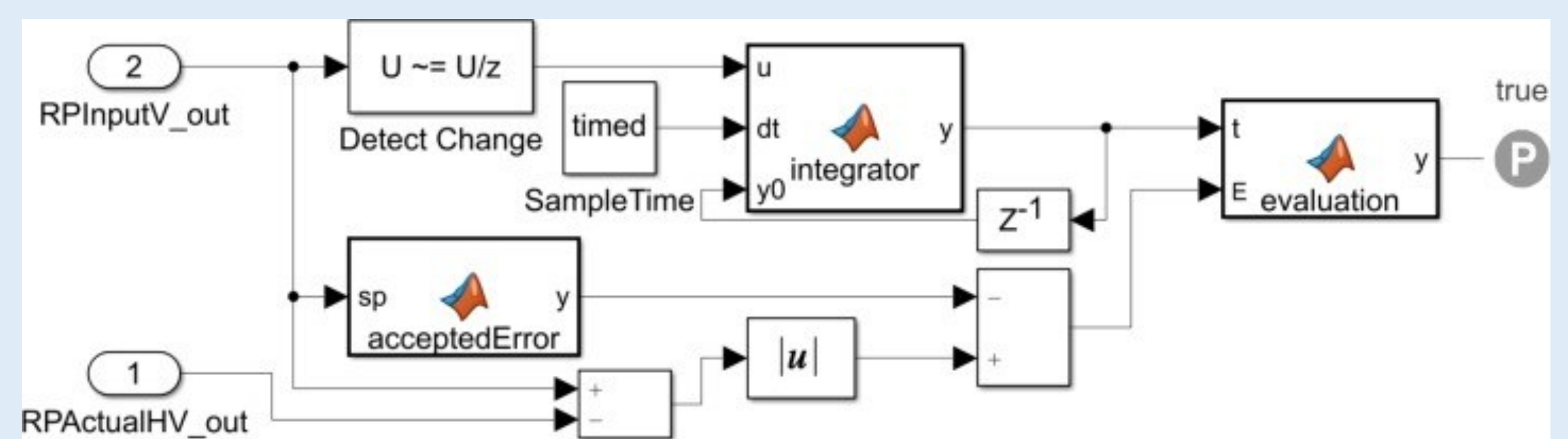


Co-verification framework, with arrows indicating the direction of the information flow between inputs and outputs, of the software and hardware.

Modelling and Results



Main state machine of the high voltage controller, recast in RoboChart



SDV implementation of the PWM hardware convergence property, P1_{HW}

Property	Result	Elapsed Time			Complexity	
		Compilation	Verification	Total	States	Transitions
P1	PASS	1456s	1394s	2850s	126,481,225	517,333,656
P2	PASS	1456s	247s	1703s	1,460,749	3,855,659
P3	PASS	1539s	248s	1787s	1,452,829	3,831,246
P4	PASS	1253s	334s	1587s	1,920,070	5,795,521

Verification results using FDR model checker.

