



UNIVERSITY OF LEEDS

This is a repository copy of *Non-linear soil behavior on freight vs passenger lines*.

White Rose Research Online URL for this paper:

<http://eprints.whiterose.ac.uk/153406/>

Version: Published Version

Proceedings Paper:

Dong, K, Connolly, DP, Laghrouche, O et al. (2 more authors) (2018) Non-linear soil behavior on freight vs passenger lines. In: Computers in Railways XVI. COMPRAIL 2018 16th International Conference on Railway Engineering Design and Operation, 02-04 Jul 2018, Lisbon, Portugal. , pp. 507-516. ISBN 978-1-78466-285-1

<https://doi.org/10.2495/CR180451>

© 2019 WIT Press. Reproduced in accordance with the publisher's self-archiving policy.

Reuse

Items deposited in White Rose Research Online are protected by copyright, with all rights reserved unless indicated otherwise. They may be downloaded and/or printed for private study, or other acts as permitted by national copyright laws. The publisher or other rights holders may allow further reproduction and re-use of the full text version. This is indicated by the licence information on the White Rose Research Online record for the item.

Takedown

If you consider content in White Rose Research Online to be in breach of UK law, please notify us by emailing eprints@whiterose.ac.uk including the URL of the record and the reason for the withdrawal request.



eprints@whiterose.ac.uk
<https://eprints.whiterose.ac.uk/>

NON-LINEAR SOIL BEHAVIOR ON FREIGHT VS PASSENGER LINES

KAITAI DONG¹, DAVID P. CONNOLLY², OMAR LAGHROUCHE¹,
PETER K. WOODWARD² & PEDRO ALVES COSTA³

¹Heriot Watt University, UK

²University of Leeds, UK

³University of Porto, Portugal

ABSTRACT

Upgrading existing passenger-only railway lines to carry freight traffic is becoming increasingly desirable. This is challenging because freight trains have larger axle loads and thus can have a negative effect on track longevity, particularly on ballasted lines supported by sub-optimal ground conditions. These additional loads can cause large subgrade strains resulting in non-linear behaviour, which should be considered before permitting freight vehicles on passenger routes. To do so requires the modelling of non-linear soil behaviour which is challenging. Therefore, this paper presents a solution in the form of an equivalent non-linear, thin layer element soil model, coupled to an analytical track model. The model has low computational demand and can adjust subgrade stiffness depending upon strain levels. Therefore, it is well suited to computing track response induced by freight trains. This paper validates the model and then uses it to compare the differences between the response of a ballasted line to freight and passenger vehicles.

Keywords: railway freight, railroad, non-linear soil.

1 INTRODUCTION

On some railway lines it can be necessary to combine freight and passenger trains on tracks that were only designed for passenger vehicles. These lines were never planned for freight traffic, and as such, the effect of increased axle loads on track behavior is unclear.

To better understand track behaviour due to different types of loading, a range of numerical modelling approaches have been suggested. These include analytical models [1]–[3], semi-analytical models [4]–[9]. There are also numerical models: 2.5D models [10]–[15] and fully 3D models using finite element (FE) and possibly boundary element (BE) theories [16]–[22].

In-situ testing can be financially expensive [23], meaning it can be more cost effective to try to understand track performance and ground response from freight trains using mathematical models. For freight traffic, the dominant vibration frequency components are in the range 4–30 Hz, so Jones and Block [24] proposed a track response model combined with transfer functions from sleeper to ground.

When modelling railway track response, linear elastic models of the soil are commonly used, thus assuming strain levels are small. However, heavy loads and high speeds can result in high strain levels and thus a non-linear soil response [5], [12]. Some researchers have proposed manually reducing soil stiffness to account for non-linearity [5], [6]. Alternatively, an equivalent non-linear approach can be used where the Young's modulus is automatically adjusted based on the maximum effective octahedral shear strain at all points in the soil mesh. Then it can be updated until convergence [12].

Considering that non-linear ground response can greatly effect track response, this paper outlines an efficient semi-analytical approach for modelling non-linear soil effects in the presence of freight traffic. The track response is simulated using a 1D analytical approach



and the soil is simulated using the thin-layer method. To facilitate non-linear soil response, the soil stiffness is computed based upon strain levels in an iterative manner.

2 NUMERICAL MODEL DEVELOPMENT

Freight trains carry heavy axle loads which can potentially cause large strains within the track's supporting subgrade. This results in non-linear soil behaviour, and thus reduced support stiffness. Modelling non-linear soil behaviour in the time domain is typically computationally intensive, so to reduce computational requirements, a frequency domain, thin-layer finite element model was developed, and combined with an equivalent non-linear procedure. This soil model was then coupled with a track model.

2.1 Track model

For all simulations a ballasted track was considered with rail, railpad, sleeper and ballast elements. Vertical wave propagation was permitted and the track was coupled to the thin-layer ground model using a spring defined in the frequency-wavenumber domain

$$\begin{bmatrix} EI_r k_1^4 + k_p^* - \omega^2 m_r & -k_p^* & 0 \\ -k_p^* & k_p^* + \frac{2\omega E_b^* b \alpha}{\tan\left(\frac{\omega h}{c_p}\right) C_p} - \omega^2 m_s & \frac{-2\omega E_b^* b \alpha}{\sin\left(\frac{\omega h}{c_p}\right) C_p} \\ 0 & \frac{-2\omega E_b^* b \alpha}{\sin\left(\frac{\omega h}{c_p}\right) C_p} & \frac{2\omega E_b^* b \alpha}{\tan\left(\frac{\omega h}{c_p}\right) C_p} + k_{eq} \end{bmatrix} \begin{Bmatrix} \tilde{u}_r(k_1, \omega) \\ \tilde{u}_s(k_1, \omega) \\ \tilde{u}_{bb}(k_1, \omega) \end{Bmatrix} = \begin{Bmatrix} \tilde{P}(k_1, \omega) \\ 0 \\ 0 \end{Bmatrix}. \quad (1)$$

In this equation, EI_r is the bending stiffness of the rail; m_r is the mass of rails per meter; m_s is the equivalent distributed mass of sleepers; k_p^* is the complex stiffness of the railpad; k_{eq} is the equivalent stiffness of the ground; E_b^* is the Young's modulus of the ballast; C_p is the compression wave speed in the ballast; h is the ballast layer height; α is the adimensional parameter, taken as 0.5; b is the half-width of the track.

The ballasted track model was coupled to the soil using the complex equivalent stiffness of the ground k_{eq} . The ratio between the force and mean deflection at the track-soil connection was used to compute the equivalent stiffness [25]. This stiffness was computed as:

$$\tilde{k}_{eq}(k_1, \omega) = \frac{2\pi}{\int_{-\infty}^{+\infty} \tilde{u}_{zz}^G(k_1, k_2, 0, \omega) C_{tg} dk_2}, \quad (2)$$

where u_{zz} is the Green's function of vertical displacement of the ground in the wavenumber-frequency domain, and k_1 and k_2 are the Fourier images of coordinate x and y , respectively. The Green function was computed using the Haskell-Thompson approach [4].

2.2 Ground model

The ground was modelled using the Thin-Layer Method (TLM). This involved discretising the medium into infinitely horizontal layers (Fig. 1).

The key modelling details are:

- The thickness of the thin layers was based on the maximum wavenumber, $h = \text{wavelength}/8 = 2\pi/8k_{\max}$



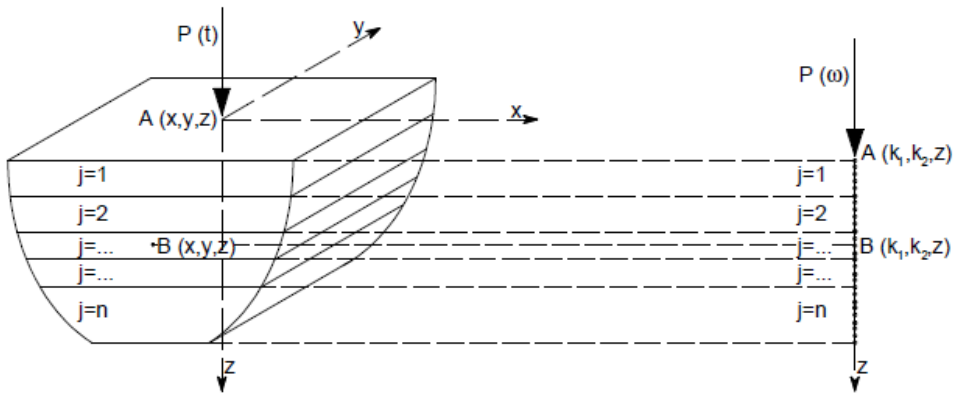


Figure 1: Schematic diagram of the TLM modelling process.

- For high accuracy stress-strain computation, quadratic elements were used
- Once the displacements were calculated for individual nodes, strains and stresses were computed using:

$$\{\boldsymbol{\varepsilon}\} = [\mathbf{B}]\{\mathbf{U}\}, \quad (3)$$

$$\{\boldsymbol{\sigma}\} = [\mathbf{D}]\{\boldsymbol{\varepsilon}\} = [\mathbf{D}][\mathbf{B}]\{\mathbf{U}\}, \quad (4)$$

where $[\mathbf{B}] = [\mathbf{B}_1 \ \mathbf{B}_2 \ \mathbf{B}_3]$ and

$$[\mathbf{B}_i] = \begin{pmatrix} ik_1 N_i & 0 & 0 \\ 0 & ik_2 N_i & 0 \\ 0 & 0 & \frac{\partial N_i}{\partial z} \\ ik_2 N_i & ik_1 N_i & 0 \\ 0 & \frac{\partial N_i}{\partial z} & ik_2 N_i \\ \frac{\partial N_i}{\partial z} & 0 & ik_1 N_i \end{pmatrix}, \quad (5)$$

$$N_1(\xi) = \frac{1}{2}\xi^2 - \frac{1}{2}\xi$$

$$N_2(\xi) = 1 - \xi^2 \quad (6)$$

$$N_3(\xi) = \frac{1}{2}\xi^2 + \frac{1}{2}\xi$$

- After computing the result in the wavenumber-frequency domain, they were converted back into the time-space domain using the inverse Fourier Transform

2.3 Equivalent non-linear model

To simulate non-linearity, a non-linear equivalent, iterative stiffness updating procedure was used. Because the model was computed in the frequency domain [27] and computationally efficient, it was well-suited to an interactive updating approach. It was as follows:

1. Low strain (G_0) material properties were assumed for the entire ground model
2. Compute strains in all directions and for all elements, and thus calculate the resulting maximum effective octahedral shear strains
3. Combine the octahedral strains with stiffness degradation curves (Fig. 2), to calculate new stiffness values for all elements
4. Repeat the procedure for material damping
5. Repeat steps 2–4 until convergence

3 MODEL VALIDATION

The model was based upon the accurate calculate of stresses and strains within the soil, to allow for non-linear equivalent computation. Therefore, it was vital that these were being accurately calculated. To validate this, results were compared against the case of a beam on a half space excited by a moving point load [26], [27].

3.1 Model description

A train-embankment-ground model was considered with a Euler beam resting on the surface an infinitely deep homogenous ground. It was subjected to a concentrated moving point load acting at the centre of the beam (Fig. 3). The half-space was modelled using the TLM model and the compatibility between the beam and soil was achieved using the equivalent stiffness formula described previously. Stresses were calculated at 2m depth below the soil surface.

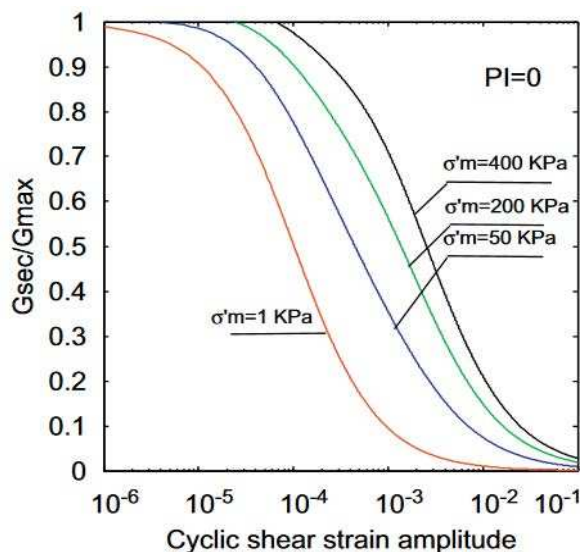


Figure 2: Stiffness reduction curves used for non-linearity. (Source: Alves Costa et al. [12].)

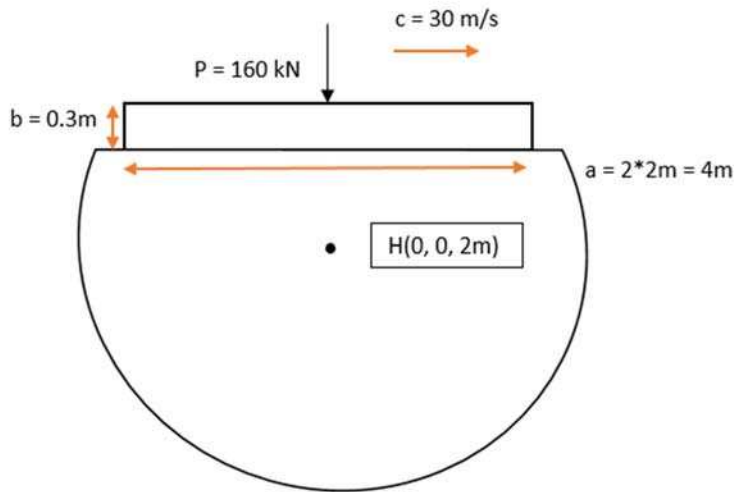


Figure 3: Schematic of validation case.

The beam and soil material properties are shown in Table 1 and Table 2 respectively. The load speed was 30 m/s with an amplitude of 160 kN .

3.2 Simulation result

The vertically acting point load meant that shear stress τ_{xy} and τ_{yz} , at the measurement location were zero. Therefore, the normal stresses σ_{xx} , σ_{yy} , σ_{zz} , and one shear stress τ_{xz} ($=\tau_{zx}$) was analysed.

Fig. 4 reveals strong agreement between the model and published case for all dynamic stresses. Therefore, it was concluded that the TLM railway model was capable of accurately calculating ground response.

Table 1: Properties of the embankment.

Density (kg/m^3)	Young's modulus (MPa)	Width (m)	Height (m)	Mass (kg)	Second moment of area (m^4)
1900	30000	4	0.3	2280	0.009

Table 2: Sil properties.

Shear modulus (MPa)	Poisson's ratio	Density (kg/m^3)	Shear wave speed (m/s)
10	0.45	1800	74.54

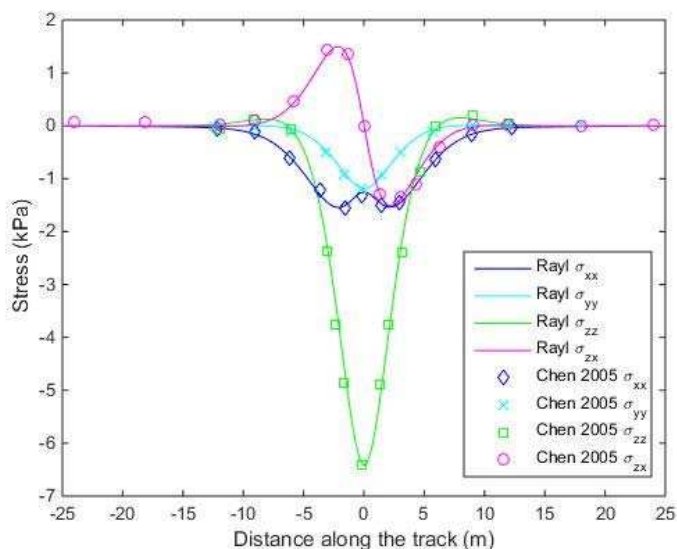


Figure 4: Dynamic stresses at 2m from soil surface.

4 ANALYSIS AND RESULTS

Models were run to compare the response of a 25-tonne freight axle load to a 17-tonne passenger vehicle. A ballasted track was considered with the following properties: $m_r=120$ kg/m, $m_s=490$ kg/m, $k_p^*=5\times 10^8$ N/m², $E_b^*=125$ MPa, $h=0.35$ m, $b=2.5$ m. The soil was modelled as a homogenous half-space with the following properties: density=2000 kg/m³, Young's modulus=25 MPa, Poisson's ratio=0.35, damping=0.03. The non-linear stiffness reduction curve was the same as shown earlier. The passenger and freight train speeds were 26 m/s.

Fig. 5(a) shows the relationship between the strain level and the depth below ground level. The maximum strain level was found approximately 1 m from the track-soil interface and reduced rapidly as depth increased. Also, Fig. 5(b) shows the effect of strain levels on soil stiffness. By the second iteration, the soil was only at 67% of its low-strain stiffness value and by the final iteration, it was 59%.

The Young's modulus for different depths, for different iterations is shown in Fig. 6(a). For iteration 1, the stiffness does not change with depth because this is the original 25MPa value. After strain updating though, there are large reductions with depth, particularly near the soil surface. For the linear responses, for the passenger train, track displacements were 3.7 mm, however for the freight train, they were 5.5 mm. Then, after considering non-linearity, the displacements were 5.7 and 10mm respectively.

Therefore, it was found that considering the non-linear nature of the soil had a very significant effect on track-ground response, and that if traditional linear was used it would significantly underestimate rail deflections. Increased displacements would lead to more frequent loss of track geometry and thus require more frequent tamping. Finally, it is also noted that dynamic effects become more noticeable when the soil stiffness reduces, with the final iteration displacements being less symmetric than the initial iteration.

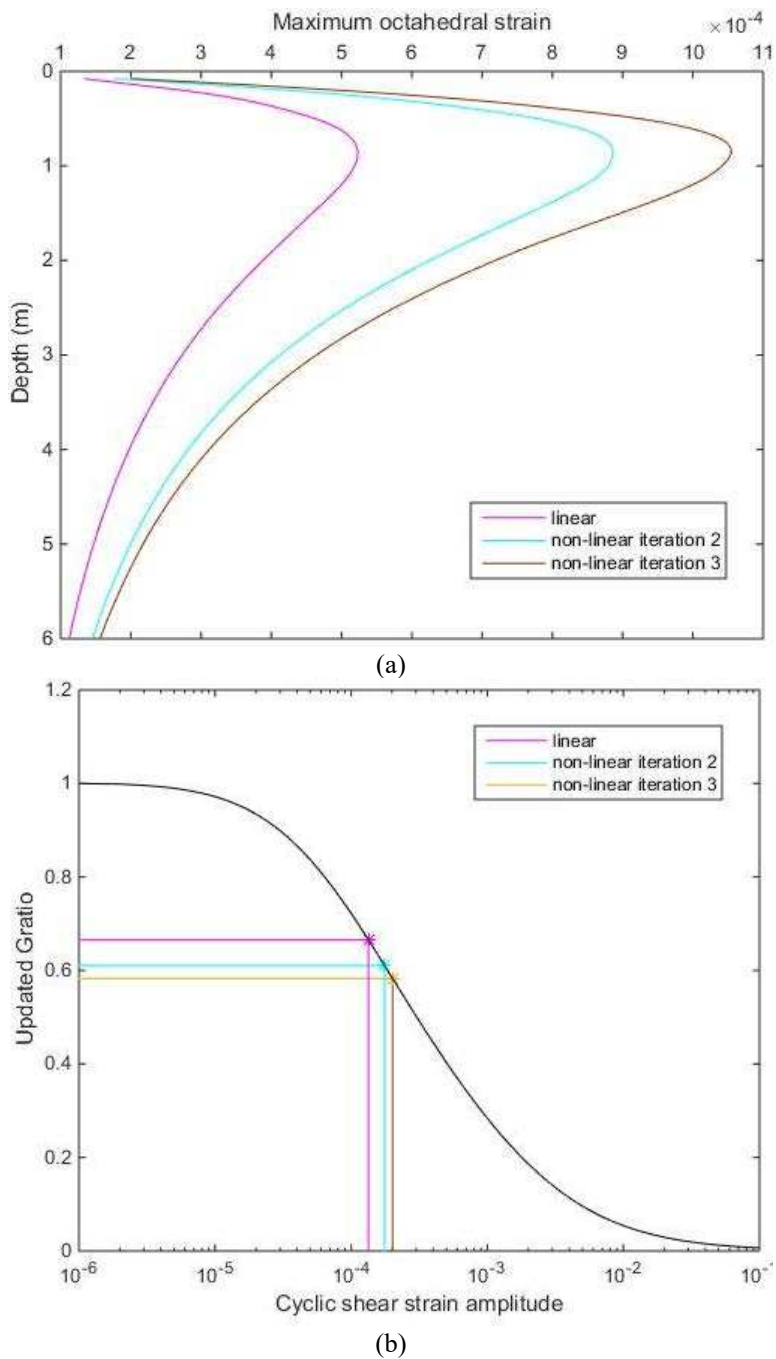


Figure 5: (a) Strain vs depth from soil surface; (b) Stiffness degradation curve with iterations shown.

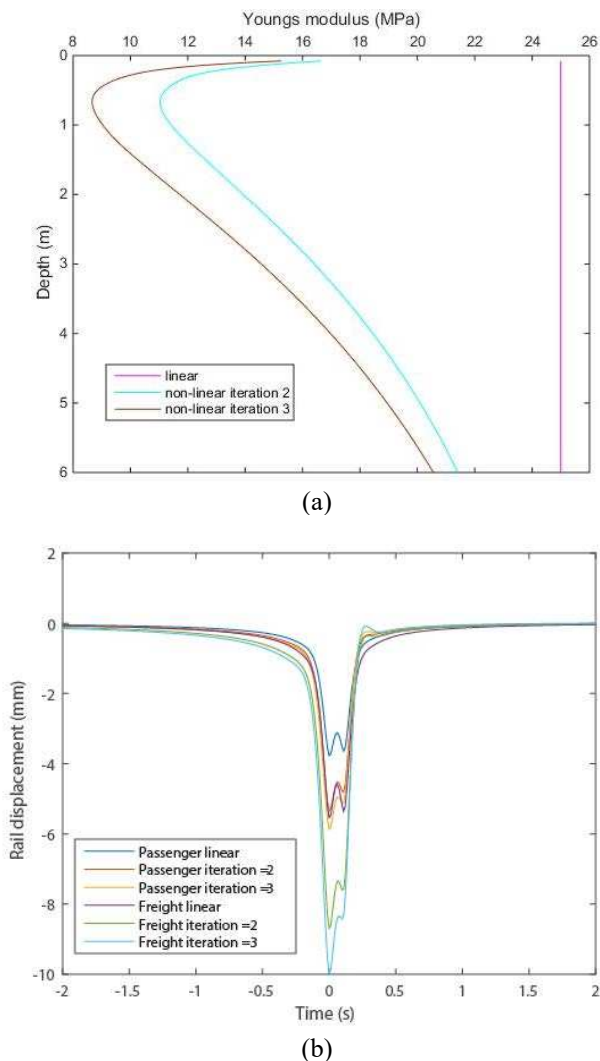


Figure 6: (a) Young's modulus reduction with depth; (b) Track displacements.

5 CONCLUSIONS

Upgrading existing passenger-only railway lines to carry freight traffic is becoming increasingly desirable. This is challenging because freight trains have larger axle loads and thus can have a negative effect on track longevity, particularly on ballasted lines supported by sub-optimal ground conditions. These additional loads can cause large subgrade strains resulting in non-linear behaviour, which should be considered before permitting freight vehicles on passenger routes. To do so requires the modelling of non-linear soil behaviour which is challenging. Therefore this paper presented a method to model non-linear track-soil behaviour in the frequency domain. It was used to investigate the difference between

potential displacement levels. It was found that using linear analysis can significantly underestimate response.

REFERENCES

- [1] Krylov, V.V., Generation of ground vibrations by superfast trains. *Applied Acoustics*, **44**(2), pp. 149–164, 1995.
- [2] Degrande, G. & Lombaert, G., An efficient formulation of Krylov's prediction model for train induced vibrations based on the dynamic reciprocity theorem. *The Journal of the Acoustical Society of America*, **110**(3), pp. 1379–1390, 2011.
- [3] Takemiya, H. & Bian, X., Substructure simulation of inhomogeneous track and layered ground dynamic interaction under train passage. *Journal of Engineering Mechanics*, **131**(7), pp. 699–711, 2005.
- [4] Sheng, X., Jones, C.J.C. & Petyt, M., Ground vibration generated by a harmonic load acting on a railway track. *Journal of Sound and Vibration*, **225**(1), pp. 3–28, 1999.
- [5] Madshus, C. & Kaynia, A.M., High-speed railway lines on soft ground: Dynamic behaviour at critical train speed. *Journal of Sound and Vibration*, **231**(3), pp. 689–701, 2000.
- [6] Kaynia, A. M., Madshus, C. & Zackrisson, P., Ground vibration from high-speed trains: Prediction and countermeasure. *Journal of Geotechnical and Geoenvironmental Engineering*, **126**(IGVC), pp. 531–537, 2000.
- [7] Sheng, X., Jones, C.J.C. & Thompson, D.J., A comparison of a theoretical model for quasi-statically and dynamically induced environmental vibration from trains with measurements. *Journal of Sound and Vibration*, **267**(3), pp. 621–635, 2003.
- [8] Mezher, S.B., Connolly, D.P., Woodward, P.K., Laghrouche, O., Pombo, J. & Costa, P.A., Railway critical velocity – Analytical prediction and analysis. *Transportation Geotechnics*, **6**(October), pp. 84–96, 2016
- [9] Triepaischajonsak, N. & Thompson, D.J., A hybrid modelling approach for predicting ground vibration from trains. *Journal of Sound and Vibration*, **335**, pp. 147–173, 2015.
- [10] Yang, Y.B., Hung, H.H. & Chang, D.W., Train-induced wave propagation in layered soils using finite/infinite element simulation. *Soil Dynamics and Earthquake Engineering*, **23**(4), pp. 263–278, 2003.
- [11] Alves Costa, P., Vibrações Do Sistema Via-Macizo Induzidas Por Tráfego Ferroviário. *Modelação Numérica E Validação Experimental*, 2011.
- [12] Alves Costa, P., Calçada, R., Couto Marques, J. & Silva Cardoso, A., A 2.5D finite element model for simulation of unbounded domains under dynamic loading. *Numerical Methods in Geotechnical Engineering*, pp. 397–404, 2012.
- [13] Galvín, P., François, S., Schevenels, M., Bongini, E., Lombaert, G. & Degrande, G., A 2.5D coupled FE-BE methodology for the prediction of railway induced vibrations. *Soil Dynamics and Earthquake Engineering*, **30**, pp. 1500–1512, 2010.
- [14] Alves Costa, P., Calçada, R. & Silva Cardoso, A., Track-ground vibrations induced by railway traffic: In-situ measurements and validation of a 2.5D FEM-BEM model. *Soil Dynamics and Earthquake Engineering*, **32**(1), pp. 111–128, 2012.
- [15] Colaço, A., Alves Costa, P. & Connolly, D., The influence of train properties on railway ground vibrations. *Structure and Infrastructure Engineering*, **12**(5), pp. 517–534, 2016.
- [16] Hall, L., Simulations and analyses of train-induced ground vibrations in finite element models. *Soil Dynamics and Earthquake Engineering*, **23**(5), pp. 403–413, 2003.



- [17] Kouroussis, G., Gazetas, G., Anastasopoulos, I., Conti, C. & Verlinden, O., Discrete modelling of vertical track-soil coupling for vehicle-track dynamics. *Soil Dynamics and Earthquake Engineering*, **31**(12), pp. 1711–1723, 2011.
- [18] Galvin, P., Romero, A. & Domínguez, J., Fully three-dimensional analysis of high-speed train track soil-structure dynamic interaction. *Journal of Sound and Vibration*, **329**(24), pp. 5147–5163, 2010.
- [19] El Kacimi, A., Woodward, P.K., Laghrouche, O. & Medero, G., Time domain 3D finite element modelling of train-induced vibration at high speed. *Computers and Structures*, **118**, pp. 66–73, 2013.
- [20] Kouroussis, G., Connolly, D.P., Vogiatzis, K. & Verlinden, O., Modelling the environmental effects of railway vibrations from different types of rolling stock: A numerical study. *Shock and Vibration*, 2015.
- [21] Arlaud, E., Costa D'Aguiar, S. & Balmes, E., Validation of a reduced model of railway track allowing long 3D dynamic calculation of train-track interaction. *Computer Methods and Recent Advances in Geomechanics – Proceedings of the 14th Int. Conference of International Association for Computer Methods and Recent Advances in Geomechanics, IACMAG 2014*, (September), pp. 1193–1198, 2014.
- [22] Kouroussis, G., Connolly, D., Olivier, B., Laghrouche, O. & Alves Costa, P., Railway cuttings and embankments: Experimental and numerical studies of ground vibration. *Science of the Total Environment*, **557–558**, pp. 110–122, 2016.
- [23] Jones, C.J., Use of numerical models to determine the effectiveness of anti-vibration systems for railways. *Proceedings of the Institution of Civil Engineers – Transport*, **105**(1), pp. 43–51, 1994.
- [24] Jones, C.J.C. & Block, J.R., Prediction of ground vibration from freight trains. *Journal of Sound and Vibration*, **193**(1), pp. 205–213, 1996
- [25] Steenbergen, M.J.M.M. & Metrikine, A.V., The effect of the interface conditions on the dynamic response of a beam on a half-space to a moving load. *European Journal of Mechanics, A/Solids*, **26**(1), pp. 33–54, 2007.
- [26] Chen, Y., Wang, C.J., Chen, Y.P. & Zhu, B., Characteristics of stresses and settlement of ground induced by train. *Environmental Vibrations: Prediction, Monitoring, Mitigation and Evaluation: Proceedings of the International Symposium on Environmental Vibrations*, pp. 33–42, 2015.
- [27] Dong, K., Connolly D.P., Laghrouche, O., Woodward, P.K., Ho, C. & Alves Costa, P., The effect of soil non-linearity on mixed traffic railway lines: Passenger vs Freight loads. *GeoShanghai International Conference*, Springer, pp. 227–236, 2018.

