



UNIVERSITY OF LEEDS

This is a repository copy of *Feeding a Fussy Eater: Examining Longitudinal Bidirectional Relationships Between Child Fussy Eating and Maternal Feeding Practices*.

White Rose Research Online URL for this paper:
<http://eprints.whiterose.ac.uk/133541/>

Version: Accepted Version

Article:

Mallan, KM, Jansen, E, Harris, H et al. (3 more authors) (2018) Feeding a Fussy Eater: Examining Longitudinal Bidirectional Relationships Between Child Fussy Eating and Maternal Feeding Practices. *Journal of Pediatric Psychology*, 43 (10). pp. 1138-1146. ISSN 0146-8693

<https://doi.org/10.1093/jpepsy/jsy053>

© 2018, The Author(s). Published by Oxford University Press on behalf of the Society of Pediatric Psychology. All rights reserved. This is an author produced version of a paper published in *Journal of Pediatric Psychology*. Uploaded in accordance with the publisher's self-archiving policy.

Reuse

Items deposited in White Rose Research Online are protected by copyright, with all rights reserved unless indicated otherwise. They may be downloaded and/or printed for private study, or other acts as permitted by national copyright laws. The publisher or other rights holders may allow further reproduction and re-use of the full text version. This is indicated by the licence information on the White Rose Research Online record for the item.

Takedown

If you consider content in White Rose Research Online to be in breach of UK law, please notify us by emailing eprints@whiterose.ac.uk including the URL of the record and the reason for the withdrawal request.



eprints@whiterose.ac.uk
<https://eprints.whiterose.ac.uk/>

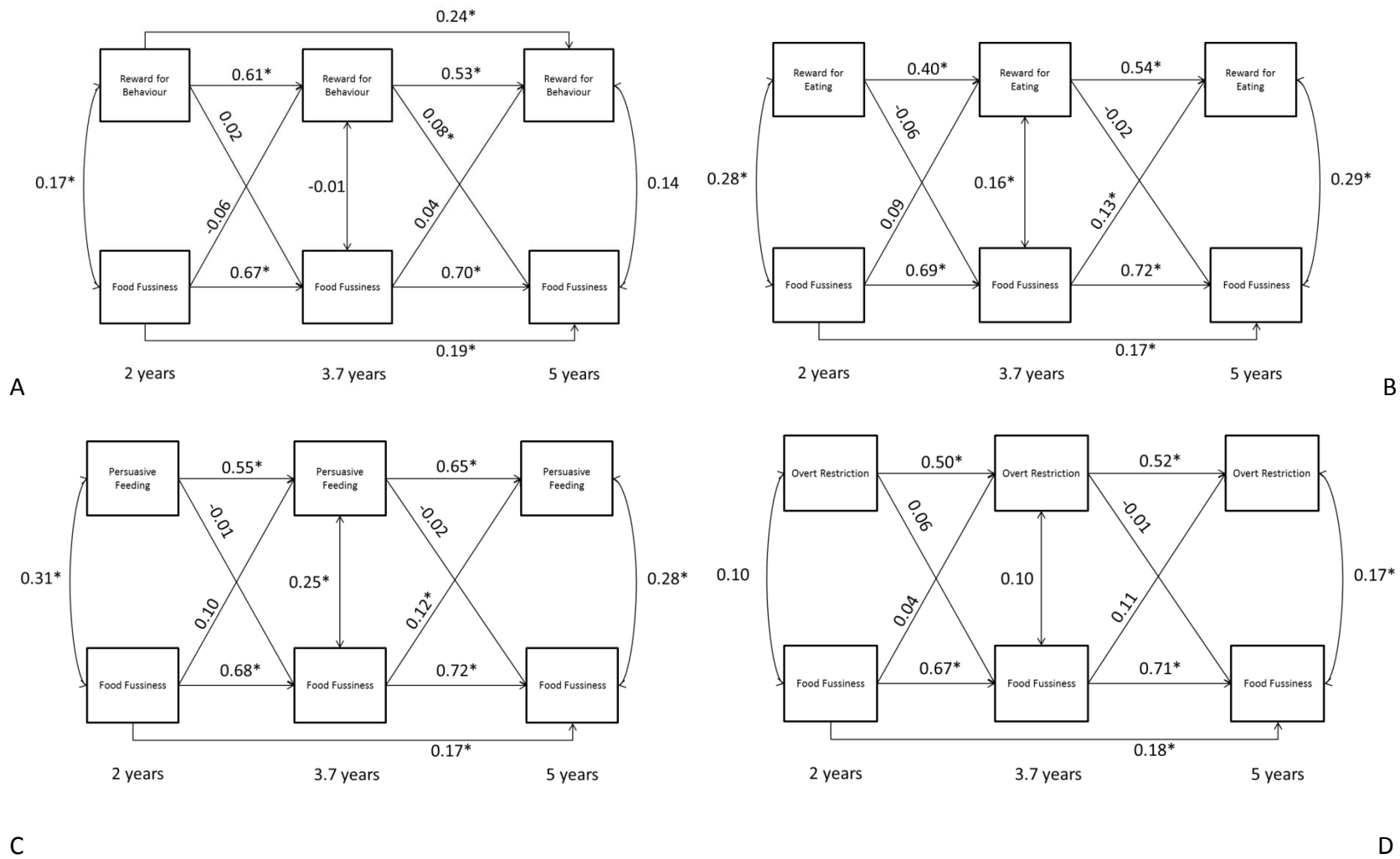


Figure 2. Bidirectional models for relations among maternal-reported Food Fussiness and Reward for Behaviour (panel A), Reward for Eating (panel B), Persuasive Feeding (panel C), and Overt Restriction (panel D) between child ages 2, 3.7 and 5 years (N=207). Coefficients are standardized. * $p < .05$